

CONFIGURED
DATA SHEET

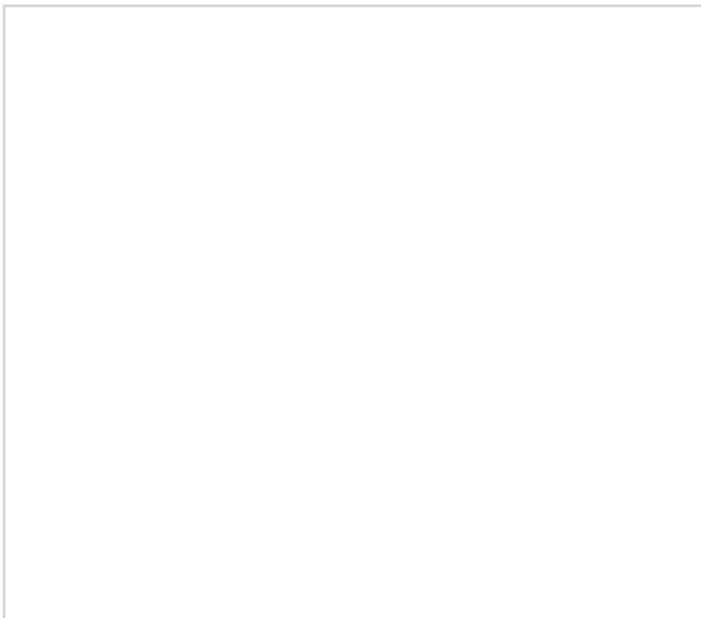
Upright, Translating
MODEL: EMT0100-U001100-0610-CB0B-0000



Product Image



Configured Product Image

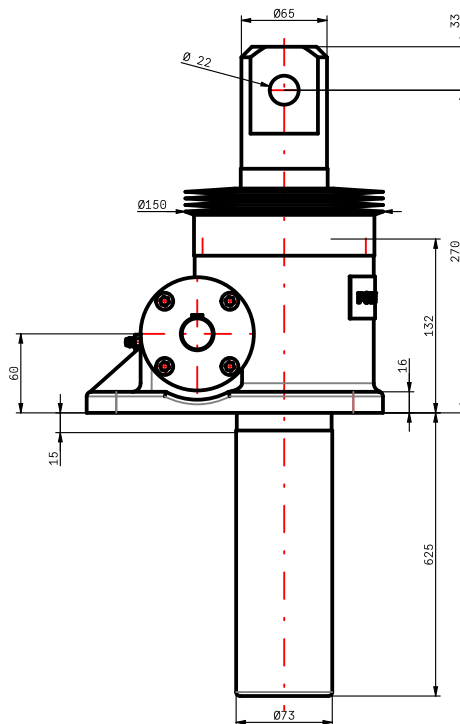
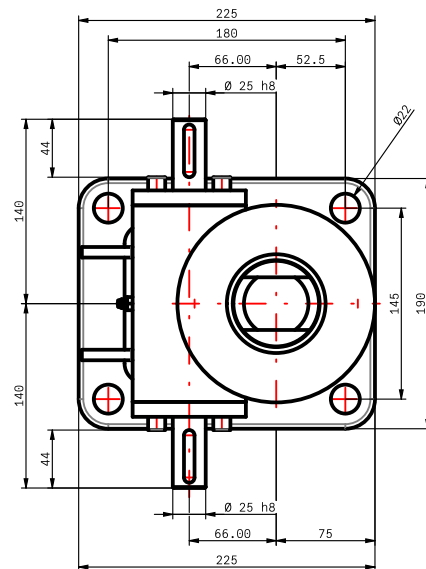


Configured Product - Dynamic 3D Content

CONFIGURED DATA SHEET

Upright, Translating

MODEL: EMT0100-U001100-0610-CB0B-0000



Note: All dimensions in mm unless otherwise stated

www.powerjacks.com
sales@powerjacks.com

Tel: +44 (0) 1224 968968

Power Jacks Limited
Kingshill Commercial Park
Prospect Road, Westhill
Aberdeenshire, AB32 6FP
Scotland (UK)

Registered in Scotland No.103849
VAT number: GB 470 9558 17



CONFIGURED DATA SHEET

Upright, Translating

MODEL: EMT0100-U001100-0610-CB0B-0000

CONFIGURATION SUMMARY

Product Code	EMT0100-U001100-0610-CB0B-0000
Gearbox Feature - 1	None
Gearbox Feature - 2	None
Gear Ratio	8:1
Lifting Screw Lead	Option 1 Lead - Right Hand(Standard)
Worm Shaft Type	Standard Material
Stroke (mm)	610
Worm Shaft Ends	Both
Screw End Fitting	Clevis
Gearbox Mounting	Base Mount
Lifting Screw Material	Standard
Lifting Screw Covers	Cover Pipe and Fabric Bellows Boot
Drive Type	None
Mounting Kit for Limit Switches & Stop Nuts	None
Paint - Lubricant -Seals	Standard Paint, Lubricant and Seals

Note: All rights reserved by Power Jacks Limited. May not be copied in whole or in part.

www.powerjacks.com
sales@powerjacks.com

Tel: +44 (0) 1224 968968

Power Jacks Limited
Kingshill Commercial Park
Prospect Road, Westhill
Aberdeenshire, AB32 6FP
Scotland (UK)

Registered in Scotland No.103849
VAT number: GB 470 9558 17

